

# Thule Levelers

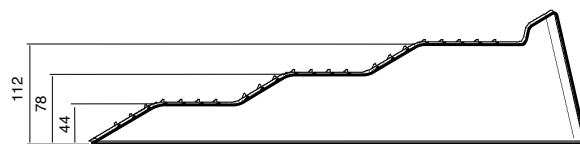
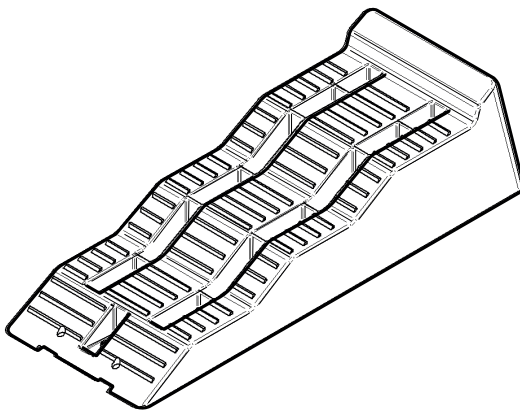
## INFO

- Material UV proof, HD PE material
- Colour Black
- Net weight 1.8 kg/leveler
- Dimensions 560 mm L x 200 mm W x 150 mm H
- Max. load capacity 5 ton/set



## FEATURES

- Set of two levelers with a handy carry bag
- Three different heights make it easier to get the vehicle levelled:  
44 - 78 - 112 mm
- Large surface area for increased stability
- The striped area offers perfect grip between the tyre and the leveler
- Ideal for wider tyres
- Easy to store and to clean
- Content:
  - Set of two levelers
  - Carry bag



307617

Thule Levelers

